

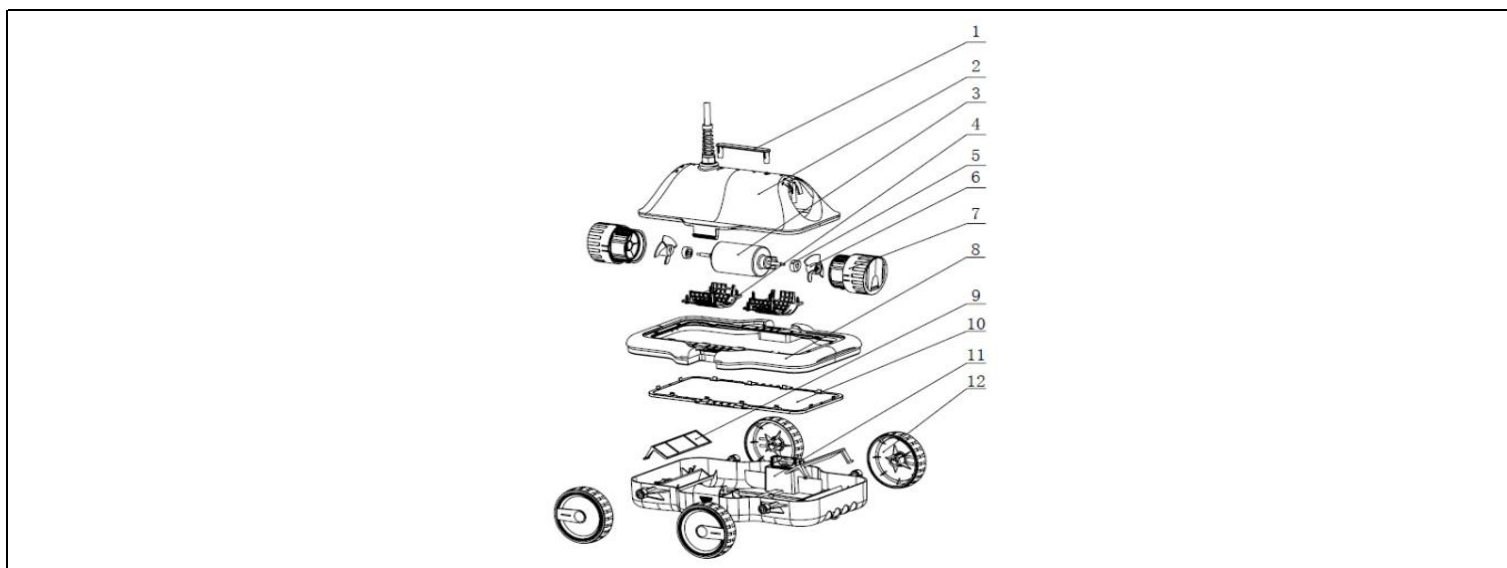
Robot Electrique

Racer

Speed

C-11-208110

RACER
LA RÉFÉRENCE ÉQUIPEMENT DE PISCINES



No.	Code CPF	Référence Fournisseur	Désignation	Code Barres	Conditionnement	PU HT EUR 2019
1	C-11-208076	W1	POIGNEE WINNY / RACER SPEED	5020112080764	1	
2	C-11-208077	W2	CARTER SUPERIEUR WINNY / RACER SPEED	5020112080771	1	
3	C-11-208078	W3	KIT MOTEUR WINNY / RACER SPEED	5020112080788	1	
4		W4				
5		W5				
6		W6				
7	C-11-208079	W7	BUSE WINNY / RACER SPEED	5020112080795	2	
8	C-11-205332	W8	CADRE DE FILTRATION WINNY / RACER SPEED	5020112053324	1	
9	C-11-205334	W9	CLAPET ASPIRATION WINNY / RACER SPEED	5020112053348	2	
10	C-11-204596	W10	FILTRE WINNY / RACER SPEED	5020112045961	1	
11	C-11-208080	W11	CARTER INFERIEUR WINNY / RACER SPEED	5020112080801	1	
12	C-11-204597	W12	ROUE WINNY / RACER SPEED	5020112045978	4	
	C-11-205331	K900-A02	FLOTTEUR WINNY / RACER SPEED	5020112053317	2	
	C-11-205346	K900-A08	RESSORT WINNY / RACER SPEED	5020112053461	2	
	C-11-205337	K900-A10	LOQUET LATERAL WINNY / RACER SPEED	5020112053379	2	
	C-11-205339	K900-A12	BROSSE WINNY / RACER SPEED	5020112053393	1	
	C-11-205351	K900-A13	TRANSFORMATEUR WINNY / RACER SPEED	5020112053515	1	