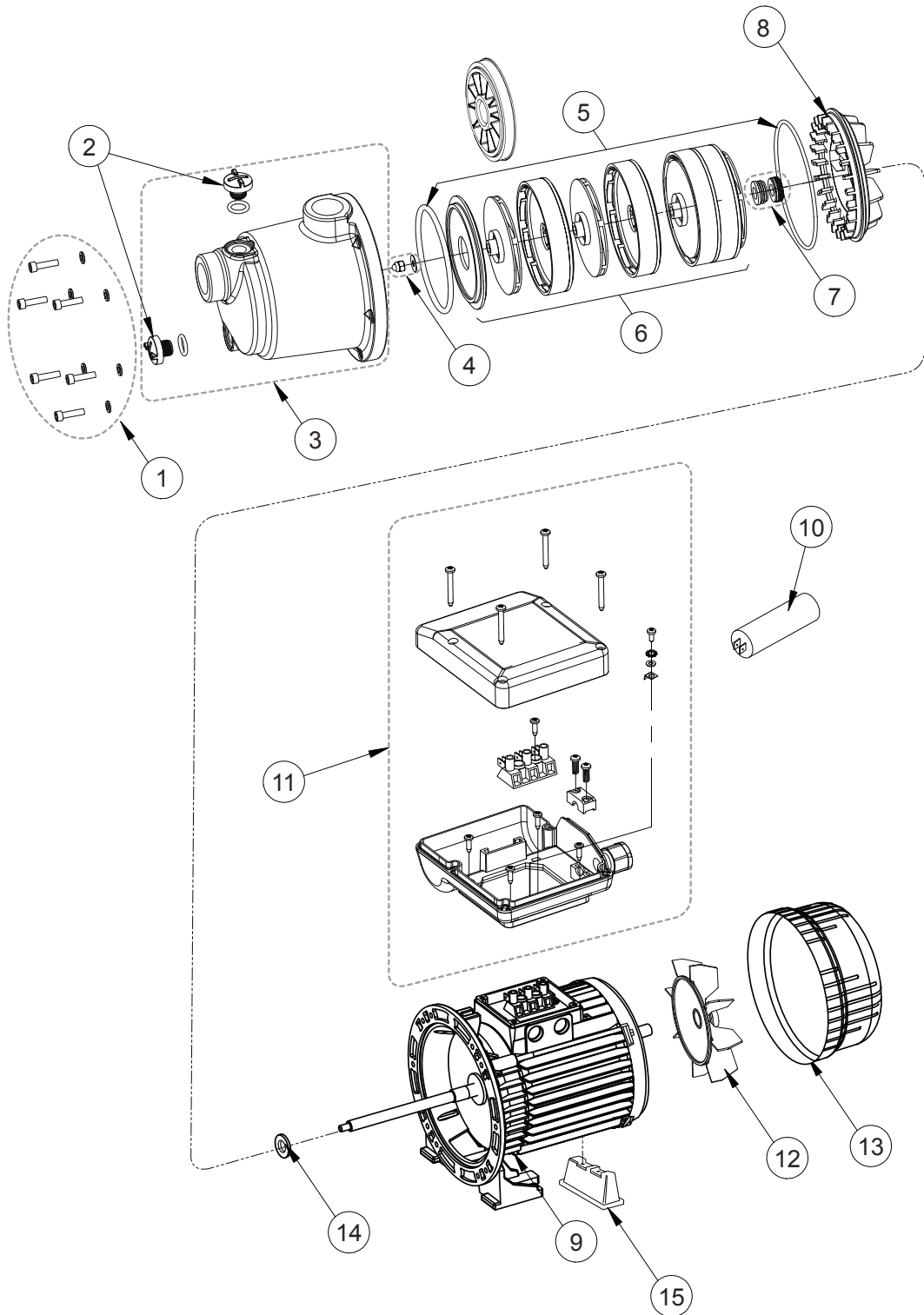


SURPRESSEUR 1CV



No.	Part No.	Description	Part No. Includes*
1	ZBR12170	Fastener Kit for pump body	6
2	ZBR12160	Drain Plug and O-Ring	2
3	ZBR12150	Pump Body (Incl. Drain Plugs)	1
4	ZBR12270	End Shaft Fastener Kit	1
5	ZBR12200	O-Ring Kit	2
6	ZBR12250	Hydraulic Stack S4P100M & S4P100T	1
	ZBR12180	Hydraulic Stack S5P150M & S5P150T	1
7	ZBR12190	Mechanical Seal kit	1
8	ZBR12210	Seal Plate Kit	1
9	ZBR12260	Motor Assembly S4P100M	1
	ZBR12220	Motor Assembly S5P150M	1
	ZBR36740	Motor Assembly S4P100T	1
	ZBR36750	Motor Assembly S5P150T	1
10	ZBR20360	Capacitor 12,5µF 450V - S4P100M	1
	ZBR20380	Capacitor 20µF 450V - S5P150M	1
	ZBR45250	Capacitor 12,5µF 450V - S4P100M-E (EVO)	1
	ZBR45260	Capacitor 20µF 450V - S5P150M-E (EVO)	1
11	ZBR20440	Capacitor Box Complete Mono Phase	1
	ZBR24380	Terminal Block Box Complete Tri Phase	1
	ZBR36240	Capacitor Box Complete Mono Phase EVO	1
	ZBR40300	Terminal Block Box Complete Tri Phase EVO	1
12	R102P0560	Cooling Fan S4P100M & S4P100T	1
	R102P0570	Cooling Fan S5P150M & S5P150T	1
13	R721S1030	Fan Cover S4P100M & S4P100T	1
	R721S1090	Fan Cover S5P150M & S5P150T	1
14	R102P0540	Waterslinger	1
15	ZBR47670	Base kit 750W	1
	ZBR47680	Base kit 1100W	1

* PART NUMBER INCLUDES REQUIRED QUANTITY PER PRODUCT